



THE SAXON NEWS

# Volksblatt

Celebrating over 100 years of Saxon Fraternalism

Published by  
**The Alliance**  
of Transylvanian Saxons  
Home Office: 5393 Pearl Road  
Cleveland, Ohio 44129-1597  
Tel: (440) 842-8442

ATS Founded in 1902

Friday, July 9, 2010

Issue 14



for their outstanding performances at the **2010 Heimattag** and in Youngstown and Cleveland. We hope they enjoyed their visit to the United States and that they had a safe trip back to Austria.



## PRESIDENT'S MESSAGE

By Thomas J. Manning  
ATS Nat'l President



The 2010 Heimattag is now "history". And it certainly was a great history! The Heimattag was hosted by ATS Branch 2, in Erie, PA, on June 25-26-27. I extend my thanks to the ATS Culture Committee, the Branch 2 Heimattag Committee, the Home Office staff, and all of the culture groups that honored us with their performances. Their cooperative effort has made the Heimattag a great Saxon celebration. The Heimattag began on Friday evening with an informal gathering at the Siebenbuerger Club and it certainly was a blast. Our DJ got everyone moving with his wonderful musical selections and our guests from Munderfing, Austria, our Saxon friends from Canada, and our ATS members and guests all joined together in having a wonderful fun-filled evening with dancing, singing, good food, and lots of friendship. I must say that those young people sure do know how to have a good time.

Our formal part of the Heimattag program began on Saturday evening at the Crystal Ballroom at the Ambassador Banquet Hall. We enjoyed a delicious meal as dinner music was provided by the Youngstown Brass Band. More than 300 persons were in attendance. After dinner we enjoyed entertainment provided by the Kitchener Transylvania Dancers, the Munderfing Dance Group, and the Siebenbuerger Blasmusik Munderfing. On Sunday morning, the Heimattag resumed with a Church Service in the Hemingway Room at the Ambassador. A very inspiring sermon was delivered by Rev. Horst Hoyer. Afterward, everyone assembled in the Crystal Ballroom for the Aufmarsch and then speeches were given by John Werner from Canada, Doris Hutter from Germany, and myself. We had cultural performances by the Youngstown Culture Group, the New Castle Eintracht Mannerchor, the Cleveland Saxon Dance Group, and the Kitchener Choir. We enjoyed a wonderful lunch and then were entertained by the Erie S.S. Gesang Verein, and the Culture Dance Groups in a mass dance. The day ended with music provided by the Cleveland Deutscher Musik Verein.

On June 24th, I had the pleasure of meeting Doris Hutter and her daughter, Ingrid. Doris is the Vice President of the Federation of Saxons in Germany. They had some delays in travelling as they made their way to Erie, but they finally arrived and enjoyed their stay. Liz and I are pleased to have them as two new Saxon friends. They are a great mother and daughter team. I also had the pleasure of meeting the Buergermeister of Munderfing, Austria, Martin Voggenberger. It is always a pleasure to renew our friendship with John Werner, Chairman of the Federation of Saxons in Canada and his wife, Helgard. There are two people that deserve a very special thank you, and they are Joan Miller-Malue and my wife, Liz. These two ladies put in extra time, energy and dedication in making our Heimattag a great success.

Now that the summer months are here, please attend as many ATS Branch and national events as possible. We all ask for and need your support.

Quote of the Day: "We must have strong minds, ready to accept facts as they are."

Reality is rough. The world isn't as we would like it to be. Times are hard. And we would really rather not have to think about things. Thank you very much. To avoid facing reality, we sugarcoat the facts for ourselves and others. But reality has a way of catching up to us. Ultimately, reality is a lot easier to face when we recognize it and deal with it right away.

Take care until next time and may God bless the members of the ATS.

## Meet the Newly-Elected ATS Trustee



**Hanz Gerhardt Hermann**

was born May 15, 1956 in Cleveland, Ohio. His father, John, who was born in Kleinschelken, Transylvania, and his mother, Sara Haydl, who was born in Zuckmantel, Transylvania, both

immigrated to the United States in 1951 and were married in 1952 in Cleveland.

Hanz is a 1974 graduate of John Marshall High School in Cleveland, and went on to earn a Bachelor of Arts Degree in Communications from Cleveland State University in 1979.

Hanz is presently employed by Wire Products Company in Cleveland (since 2007) as its Production Planner/Production Control Manager. Hanz was previously employed by Triad Metal Products Com-

pany for 25 years as a Production Control Analyst.

Many an hour was spent at the Cleveland Westside Sachsenheim, his parents having been active in branch activities, the choirs, and auxiliary catering committee. He was a member of the Children's Dance Group in the 1960's, as well as the Saxon Dance Group in the 70's. Hanz was also President of the group, as well as delegate to and President of the United Saxons of Cleveland, member of and President of Eintracht

Hermania Maennerchor. A lifelong member of Branch 1, Hanz has served as Trustee, ATS Secretary, as well as President.

An ATS National Committee appointee since 1976, Hanz had participated in the International Saxon Jugendlagers (Youth Rallies), and helped direct the first Rally held in the United States with Karl Klamer in 1978.

In addition to being active in the Saxon community, Hanz has also been involved at the Donauschwaben German American Cultural Center (Lenau Park) in Olmsted Township.

Hanz was also active with Westlake Music Boosters.

Hanz and his wife Barbara (nee Mueller), member of Branch 4 and former member of the German Music School, have been married since 1983. They have also been Managing Editors of the *Saxon News Volksblatt* since 1987.

**TIMELY - DO NOT DELAY  
MAILED WEDNESDAY, July 7, 2010**

**Attention Postmaster: Send all Changes of Address to:  
The Alliance of Transylvanian Saxons  
5393 Pearl Road Cleveland, OH 44129-1597**

Continued Page 2



**NEWLY ELECTED TRUSTEE**  
Cont'd from Page 1

Barbara and Hanz have two lovely children. Kathryn A. Hermann (Katie) is a 2009 graduate of the Fisher College of Business at the Ohio State University and is presently living in Columbus, employed by J. P. Morgan Chase as an Operations Analyst. Their son, John K., will be a Junior at the University of Pittsburgh, studying Biomedical Engineering. Both Katie and John have also grown up at the Sachsenheim, having enjoyed many a children's party there, and have also participated in Teen Weekends, as well as Federation International Jugendlagers, and have been recipients of ATS Scholarships.

**Reach investment goals with patience, caution**

If you've been reading about investments, watching those hot-investment stories on TV, and wracking your brain over how to get the best returns, one authority has advice for you: Relax and follow these steps.

- Forget the hot stocks. Too many go bad and end up in a loss. Instead of trying to predict tomorrow's big gainers, choose a mix of five or six funds that cover assets such as large and small U.S. stocks, foreign shares, bonds and another that invests in natural resources or other inflation hedges.

- Invest for the long term, not for next year's stock returns. You can't pick winners year after year. Some will end up going down as fast as they went up.

- Consider a fund's expenses. You never hear people bragging about their low mutual fund expenses because high returns are more fun to talk about. Money advisor Stephen Lewis analyzed stock funds over a 15-year period. His conclusions agree with those of Burton Malkiel and Charles Ellis in their new book, *The Elements of Investing: The higher a fund's fees, the lower its average return over time.*

- Don't panic. The stock market goes up and down and sometimes crashes. Those who often lose a lot can't blame the market entirely for their misfortune. When things are going well, they put more into risky assets, making them more vulnerable.

Realize that the market will turn around, so don't sell your stocks or funds when prices are very low.

The less you fiddle with your investments, the fewer mistakes you will make, says Lewis.

**BRANCH 30, YOUNGSTOWN**  
By Tom Fizet

Whenever you look around, someone has brightened up around the club. Just the other day someone told me about the painting of the picnic benches and tables around the Pavilion and the Bocce courts. I found out whom: John Bachinger, John Boehm Jr., and John Fromel. Thanks, they look very nice and feel clean. Add on from last issue, Mike Teutsch, Sr. and grandson Jordan and Ralph Sheetz and Grandson Adam helped Casey with the mulch, looks good.

There is still time to purchase your 300 Club tickets and there are drawings yet in July and August for monthly winners. The banquet will be on Saturday, September 11<sup>th</sup> in the Ballroom. The dinner will be your choice of Prime Rib (ala Saxon Club) or Chicken. Don't forget the prizes. If you need tickets, or for information, call Rick Lieb at 330-792-1350 if no answer, leave a message.

The Munderfing Brass Band and Dance Group from Austria played and entertained to a standing room only crowd at the Youngstown Saxon Club on Monday, June 28<sup>th</sup>, after their performance at the Heimattag in Erie. They were able to spend some time visiting around town on Tuesday and having fun around the Club playing Bocce, enjoying lunch and just relaxing. Thanks to the families that housed members of the band, the enjoyment was yours. The trumpet players that joined with

the Canfield Community Band on Tuesday and played at the Austintown Park Band pavilion were enjoyed; what a way to show our friendship. The band ranged in age from 78 to 14 and had multiple members from families. They were truly professional and enjoyable.

Earl (Cotton) Farragher, 85, a Social member and friend of many at the Saxon Club, passed away on June 29, 2010. Cotton, a good Bocce player, loved Pinochle at the club; you could see him at the club often.

Youngstown Branches 22 and 30 will meet on Sunday, July 11, 2010, at 2:30 PM. That is this Sunday the kitchen will be open. Come and enjoy a breakfast brunch or dinner after the meeting, see you there.

The Saxon Club and the Maennerchor Golf outing is July 17, 2010.

The Concordia Chorus picnic will not be held this year.

Don't forget the Saxon Day Picnic on July 25, 2010, at the club. Look elsewhere in the *Volksblatt* for details. Contact Bill Karako or Neil (Red) Stertzbach if you want to play a game of softball with the Canadians; game begins at 11:00 AM. The sign up sheet is on the Bulletin Board.

The Couples Bocce league is looking for new players to complete this year and for full time playing in 2011. Call Lorie or Jeff Wellington, Phone 330-707-0010.

So Goes The News.

**YOUNGSTOWN SAXON RETIREES**  
By Teri Laret

The following are the minutes of the Saxon Retirees luncheon meeting June 9, 2010.

Our President Pat Bokesch greeted all as usual with her joke of the day. The attendance seems to be down today but it's vacation season and so many are taking advantage of this as is our secretary.

Aprayer follows with a special tribute to those who did serve, are now serving our country and those who gave their lives to keep us free. Veterans please stand we honor you. While standing we all stand to pledge our loyalty to the flag of our nation by word and song, God bless America.

Our guests today are Ro Dundon, Dominic Sugar and Sandi Gentile. Welcome and please consider being one of us, as we are.

Our team of hostesses today is Kay Ring and Gert Prest. They met with John and Yo (kitchen specialist.) Together they planned and prepared a scrumptious lunch. Smells good, let's eat and have our meeting later.

Lunch over, meeting time. No secretary, no minutes. Teri is in Tacoma, Washington visit-

ing one of her eight children. Min Haner, treasurer, gave her report of the monies on hand, report accepted as read. Jessie Ausnehmer, you are the only one on the sick list. Can't let this happen next month, o.k.?

George Schuller's death was a shock to everyone as he was so on top of things. We will miss him.

We have four birthdays for June and they are Gert Prest, Jim Dundon, Alice Callahan and Hermine Gentile. Happy, happy to you. They shared their birthday with us. There were no anniversaries.

Keep thinking about increasing our membership.

Our speaker Todd Franko, editor of the *Youngstown Vindicator*, was special. His human interest stories, slides, presentation and humor kept everyone's interest. He was great. Please come again.

There was a raffle, but no one kept a list of the winner, oh well. The meeting closed with a tribute to veterans.

The hostesses (she and him) for July are Alice and Curt Callahan (330-759-0251) and Jim Dundon (330-726-6851).

**Alliance of Transylvanian Saxons**  
Home Office: 5393 Pearl Rd., Cleveland, Ohio 44129  
Telephone: (440) 842-8442  
E-mail: office@atsaxons.com Website: www.atsaxons.com

**National Board of Directors**

**President -**

**Thomas J. Manning** Br. 2 (814) 864-6072  
1027 West 30th St., Erie, PA 16508

**First Vice President -**

**Robert B. Cunningham III** Br. 1 (216) 398-7520  
9005 Memphis Villas Blvd., Brooklyn, OH 44144-2426

**Second Vice President -**

**Joan Miller-Malue** Br. 4 (216) 251-6036  
17105 Hilliard Rd., Lakewood, OH 44107

**Third Vice President -**

**John Boehm, Jr.** Br. 30 (330) 821-5572  
2416 Queensbury Rd. NE, Alliance, OH 44601

**Secretary-**

**Monica M. Weber** Br. 4 (440) 356-5936  
19625 Riverwood Ave, Rocky River, OH 44116

**Treasurer-**

**Denise Aeling Crawford** Br. 8 (330) 821-5125  
15970 Cenfield St. Alliance, OH 44601

**Trustees-**

**Peter Karsti, II** Br. 30 (330) 792-2281  
4619 Canfield Rd., Canfield, OH 44406

**Ronald Benedict** Br. 25 (724) 667-7395  
PO Box 25, Edinburg, PA 16116

**Jacob F. Spor** Br. 25 (724) 657-3773  
2940 Plank Rd., New Castle PA 16105

**Barbara Brayn** Br 18 (330) 337-7487  
1389 Brookview Dr., Salem OH 44460

**Hanz G. Hermann** Br. 1 (440) 892-0436  
29076 Fall River Dr., Westlake OH 44145

**Chief Medical Examiner-**

**Dr. David E. Schuller** Br. 33 Cleveland

**National Committee Appointees-**

**Helen E. Aeling** Br. 8 Alliance (330) 862-2563

**Elisabeth Weber** Br. 4 Cleveland (216) 272-3504

**Ingrid Weihs-Ferguson** Br. 37 Detroit (586) 264-6136

**Robert P. Vogt, Sr.** Br. 19 Salem (330) 337-6357

**Henry Holmes** Br. 7 Farrell (724) 981-7130

The Saxon News Volksblatt (ISSN 0894-1165), the official publication of the Alliance of Transylvanian Saxons, 5393 Pearl Road, Cleveland, Ohio 44129-1597, is published Bi-weekly.

Annual Subscription rate for non-ATS members  
USA - \$15; Canada and Europe -\$50

Managing Editors HB Laser Communications,  
PO Box 45198, Westlake, Ohio 44145.

"Periodicals Postage Paid" at Cleveland, Ohio.

Postmaster: Send address changes to the Saxon News Volksblatt, 5393 Pearl Road, Cleveland, Ohio 44129-1597

**SECRETARIES TAKE NOTICE:**

**THE DEADLINE DATE FOR ARTICLES IS FRIDAY - 12 NOON.**

You may either

**MAIL: PO BOX 45198, Westlake, OH 44145,**

**FAX: (440) 399-9339**

**E-MAIL: saxonvolksblatt@aol.com**

Articles e-mailed will receive an e-mailed confirmation by Noon Saturday. If you did not receive confirmation, please give us a call.

**Deadline Dates for articles:**

DEADLINE	ISSUE
FRIDAY, JULY 16, 2010	FRIDAY, JULY 23, 2010
FRIDAY, JULY 30, 2010	FRIDAY, AUGUST 6, 2010
FRIDAY, AUGUST 13, 2010	FRIDAY, AUGUST 20, 2010

**Please have your articles in by 12 Noon.**

Did you miss the deadline?

Have you emailed your article past 12 noon?

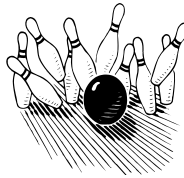
Please call Hanz or Barb Hermann at (440) 892-0436.

# ALLIANCE OF TRANSYLVANIAN SAXONS

## ANNUAL OPEN HANDICAP BOWLING TOURNAMENT

Stardust Lanes Merrillville IN

October 23-24<sup>th</sup>, 2010



ENTRY FEE PRIZE	TEAM	DOUBLES	SINGLES	ALL EVENTS
	\$25.00	\$10.00	\$ 5.00	\$2.00
<b>BOWLING EXPENSES</b>	\$50.00	\$20.00	\$10.00	
	\$10.00	\$ 4.00	\$ 2.00	
<b>TOTAL</b>	\$85.00	\$34.00	\$17.00	\$2.00

TEAM NAME \_\_\_\_\_

BRANCH # \_\_\_\_\_ CITY \_\_\_\_\_

Name address and phone number of person submitting entry:

Name \_\_\_\_\_ Phone# \_\_\_\_\_

Address \_\_\_\_\_

City, State, Zip \_\_\_\_\_

### SATURDAY, OCTOBER 23, 2010

SINGLES NOON	DOUBLES 2:30 PM
NAME	NAME
1. _____	1. _____
2. _____	2. _____
3. _____	3. _____
4. _____	4. _____
5. _____	5. _____
6. _____	6. _____

ALL EVENTS	ALL EVENTS
1. _____	1. _____
2. _____	2. _____
3. _____	3. _____

### SUNDAY, OCTOBER 24, 2010 10:00 AM

TEAM EVENT	ATS#	ABC/WIBC	AVERAGE
NAME	(MUST)	SANCTION#	
1. _____			
2. _____			
3. _____			
4. _____			
5. _____			

Deadline for entries is October 9, 2010. NO ENTRIES AFTER THAT DATE.

All fees MUST accompany this form. No refunds after October 15, 2010.

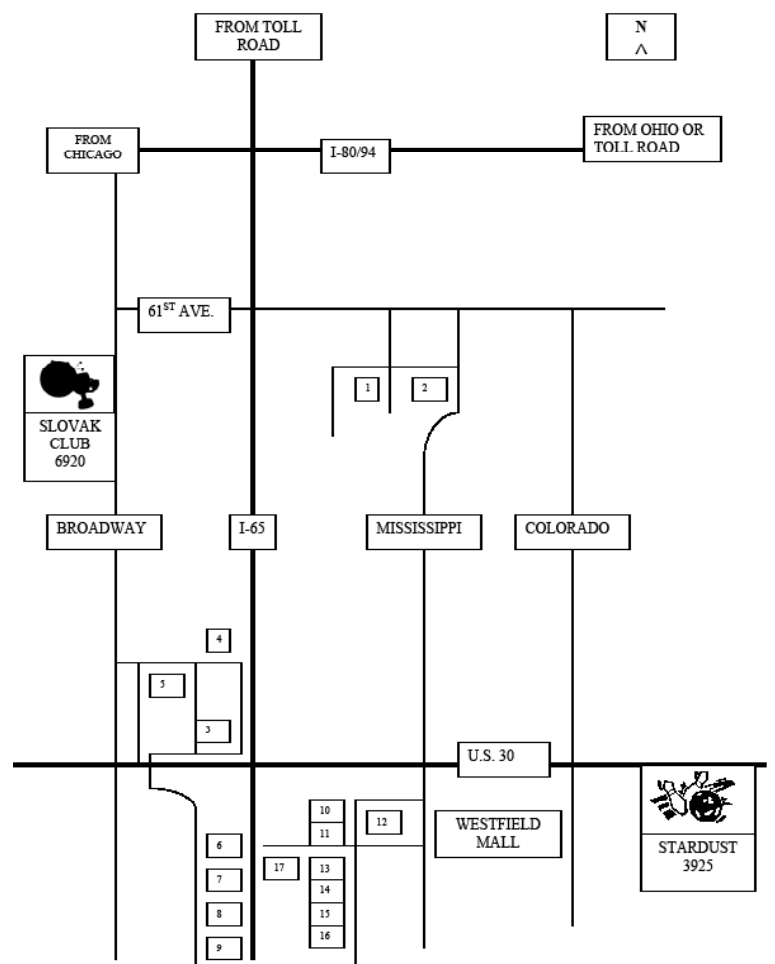
Send all entries to Jimm Smith 2420 West 61st PI Merrillville IN 46410

Tel : (219) 887-5375

Team Event	_____	@ \$85.00	_____
Doubles	_____	@ \$34.00	_____
Singles	_____	@ \$17.00	_____
All Events	_____	@ \$2.00	_____
Non-Bowler Sunday Banquet Reservations (CBS)	_____	@ \$24.00	_____
Bowler Sunday Banquet Reservations (Beef and chicken)	_____	@ \$10.00	_____
<b>TOTAL ENCLOSED</b>	_____		_____

## BOWLING TOURNAMENT HOTELS

- Lee's Inn**  
6201 Opportunity Ln, Merrillville, IN 219-942-8555  
\$99.00 + 12% tax
- Comfort Inn**  
1915 Mississippi St, Hobart, IN 219-947-7677  
\$79.00 + 12% tax
- Radisson Hotel At Star Plaza**  
800 E 81st Ave, Merrillville, IN 219-769-6311  
\$99.00 + 12% tax
- Fairfield Inn**  
8275 Georgia St, Merrillville, IN 219-736-0500  
\$109.00 + 12% tax
- Red Roof Inn**  
8290 Georgia St, Merrillville, IN 219-738-2430  
\$73.99 + 12% tax
- Hampton Inn**  
8353 Georgia St, Merrillville, IN 219-736-7600  
\$129.00 + 12% tax
- Holiday Inn Express**  
8375 Georgia St, Merrillville, IN 219-795-9500  
\$109.00 + 12% tax
- La Quinta Inn**  
8210 Louisiana St, Merrillville, IN 219-738-2870  
\$56.00/double bed + 12% tax \$63.00/king bed + 12% tax
- Knights Inn**  
8250 Louisiana St, Merrillville, IN 219-736-5100  
\$59.89 + 12% tax
- Super 8 Motel**  
8300 Louisiana St, Merrillville, IN 219-736-8383  
\$59.99 + 12% tax
- Economy Inn of America**  
8275 Louisiana St, Merrillville, IN 219-736-2355  
\$49.00 + 12% tax
- Country Inn and Suites**  
8311 Ohio St, Merrillville, IN 219-736-1300  
\$89.00 + 11% tax
- Motel 6**  
8290 Louisiana St, Merrillville, IN 219-738-2701  
\$49.00 + 12% tax
- Days Inn**  
1350 E 83rd Ave, Merrillville, IN 219-736-5252  
\$59.00/single bed + 12% tax \$64.00/double bed + 12% tax



## iPad stays stashed at airports

It's good news for business travelers and vacationers alike.

The Transportation Security Administration says the iPad won't have to be removed from carry-on baggage at security checkpoints. It's just half-an-inch thick and has no parts that can block images when the machines go through the screening machine.

Electronics that are smaller than the standard laptop, such

as the Kindle, Sony Reader and small notebook computers, can also stay in the bag.

But it's not an actual rule. Screeners still have the discretion to ask that the devices be removed in order to further inspect them or the cases they are in.

The TSA recommends checkpoint-friendly bags that have a separate laptop flap that can be unfolded flat on the machine belt.



# FRATERNAL CALENDAR

## NATIONAL EVENTS

### 2010

- July 18 - 24, 2010  
Saxon Summer Camp  
Joseph Badger Meadow Camp Burhill, OH  
Ages 8 - 13
- July 24, 2010  
ATS Golf Outing  
Host Branch 25 New Castle  
Mohawk Trail Golf Course
- July 31, 2010  
ATS Family Day  
Waldameer Park/Water World Erie PA  
Deep River Water Park Crown Point IN
- September 10 - 12  
Teen Weekend  
Salem Saxon Club Grounds  
Ages 13 - 19
- September 25, 2010  
Siebenbürger Sachsen Sängerbund Convention  
Host Eintracht Saxonia Sachsenchor Cleveland
- October 23-24, 2010  
ATS Open Bowling Tournament  
Stardust II Lanes - Merrillville, Indiana

## LOCAL EVENTS

- July 9, 2010  
Salem Br. 18/19 Joint Social Dinner & Scholarship Awards 6:30 p.m.
- July 10, 2010  
Lorain Br. 9 Card Party 2 - 5 pm St. John's UCC Hall
- July 11, 2010  
Merrillville Br. 26 Meeting  
Youngstown Branch 22 and 30 meet
- July 12, 2010  
Salem Br. 18 Trustees Audit 6:00 p.m. & Br. 18 Meeting 7:30 p.m.
- July 17, 2010  
New Castle Br. 25 Singer's Picnic noon @ Grounds  
Salem Br. 18/19 Breakfast 7:00 - 10:00 a.m.  
Youngstown Maennerchor Saxon Golf outing
- July 18, 2010  
Youngstown Concordia Chorus Picnic
- July 25, 2010  
Youngstown Saxon Day Picnic
- July 29, 2010  
Salem Br. 19 Officer's Mtg. 7:30 p.m.
- July 31, 2010  
Salem Br. 18/19 Peanut Night 8:00 p.m. - ?
- August 1, 2010  
Merrillville Br. 26 Meeting
- August 2, 2010  
Salem Br. 19 Trustees Audit 6:30 p.m.  
Salem Br. 19 Meeting 7:30 p.m.
- August 4, 2010  
Salem Saxon Retirees 11:30 a.m.
- August 7, 2010  
New Castle Br. 25 Jimmy Buffet Night @ Grounds  
Lorain Br. 5 & 11 Family Bowling 2 pm  
Black River Lanes Elyria
- Aug 8, 2010  
Youngstown Branch 22 and Branch 30 meeting
- August 9, 2010  
Salem Br. 18 Meeting 7:30 p.m.
- August 12, 2010  
Youngstown Retirees Meet
- August 13, 2010  
Salem Joint Social Dinner 6:30 p.m.
- August 15, 2010  
New Castle Br. 25 Members Picnic @ Grounds
- August 21, 2010  
Youngstown Couples Bocce Banquet  
Salem Breakfast 7:00 - 10:00 a.m.  
Cleveland Br. 1 Sommerfest
- August 22, 2010  
Lorain Br. 5 & 11 Summer Picnic 1 - 8 pm  
French Creek Shelter #1
- August 26, 2010  
Youngstown Ladies Bocce Banquet
- August 27, 2010  
New Castle Br. 25 Night at the Races @ Grounds
- August 28, 2010  
Salem Peanut Night 8:00 p.m. - ?
- September 1, 2010  
Salem Saxon Retirees 11:30 a.m.
- September 5, 2010  
Merrillville Br. 26 Meeting

## Keep estate info in the cloud or on your computer?

If you checked out tomorrow, it would be nice if your spouse and your heirs had all of your various kinds of information in an easy-to-access place.

New software services by InformationSAFE (www.infosafe.com) can help you do it. It is a relatively simple way to organize personal and sensitive information where your spouse and attorney can get to it.

InformationSAFE comes in two versions. The first is for your PC and stores encrypted data. The second has most of the same features, but it's an online service and costs \$49.95 a year.

You can authorize anyone to access either of the plans from a computer.

The information you put on your PC or Mac is under your control every day, but it's vulnerable to fire, flood or whatever makes the computer crash.

The Web-based information resides on infosafe's servers. It's always available and has many great features. But you need to have faith that the company's level of security would keep a criminal out of it.

You can authorize anyone else to use the site and the company sends you an alert if anyone logs onto it.

The question is, who do you trust, yourself or the Web 2.0?

### Bumper Sticker Humor

I thought I was indecisive; now I'm not so sure.

When life hands you gators, make Gatorade.

It may be that your sole purpose in life is to serve as a warning to others.

I started with nothing...and still have most of it left.



## ATS FAMILY DAY at DEEP RIVER WATER PARK

9001 East Lincoln Hwy  
(E US Hwy 30)  
Crown Point, Indiana  
Saturday, July 31, 2010

Reserved Picnic Area that includes a Catered Box Lunch

Free Parking

Attractions designed to provide activities for all Ages

Discounted Tickets that includes Park Admission and Box Lunch

Park Hours: 10 am - 6 pm

### DEEP RIVER WATER PARK TICKET ORDER FORM

Number ATS Adult Members @ \$20.....\$

Number ATS Child Members @ 14.....\$  
(46 inches and under)

Name and Certificate Number of Members:  
Cert No. \_\_\_\_\_

Cert No. \_\_\_\_\_

Cert No. \_\_\_\_\_

Cert No. \_\_\_\_\_

Number Adult Non-Member @ \$26.....\$

Number Child Non-Member @ \$20.....\$

Total Amount Remitted.....\$

Mail Tickets to:  
Name \_\_\_\_\_

Address \_\_\_\_\_ Telephone \_\_\_\_\_

City \_\_\_\_\_ State \_\_\_\_\_ Zipcode \_\_\_\_\_

Mail Ticket Order to: Hilde Mueller  
1205 W. Sherman Ave. Apt. 308  
Chicago, IL 60626

Call for more information...Telephone: (773)973-0923  
Email: [saxonprez@att.net](mailto:saxonprez@att.net)

Deadline for Ticket Orders July 20, 2010

IT'S GREAT TO BELONG  
... AND TO PARTICIPATE!

## NOTES OF THANKS

Additional Thank-You notes from Scholarship Winners:

I would like to thank the ATS for awarding me the Jon Weber Memorial Scholarship. This will help considerably as I attend The Ohio State University. . . I appreciate the help and want to thank the ATS again.  
Jacob Schuster

Thank you so much for awarding me the David P. Bokesch Scholarship Grant. It is greatly appreciated and makes my secondary education possible.  
Allyson Zeedrich

## The Eintracht Maennerchor New Castle PA Annual Summer Picnic Saturday, July 17, 2010

Noon to late night.

3:00 pm

Youngstown Brass Band  
W. John Kraus director

5pm Maennerchor Sings  
Dan Forsberg Director

Emeritus Director Jerry Geisel

Fred Ziwich ISM plays 7 pm

Features a PIG Roast. with side foods  
Members & Guests

McKee Crossing Road off Graceland Road

Eintracht Picnic Grounds

724 652 5299 Club 724 652 7221

## CHURCHES



### St. Peter's German and Saxon Lutheran Church

11423 Chicago Rd.  
Warren, Michigan 48093  
(586) 979-3850  
stpeters\_church@sbcglobal.net  
www.stpeterswarren.or

10:00 Bilingual Service

Nursery School  
Coffee following service.  
Bible Study, Senior Circle,  
Sunday School, Church  
Choir, Bell Choir

### St. Thomas Evangelical Lutheran Church

9509 Lake Avenue  
Cleveland, OH  
(216) 961-4870

Rev. Dick Williams  
Pastor  
Cell (330) 524-1718

9:00 a.m. German Service  
2nd Sunday of the month  
Pastor Susanne Carter

10:00 a.m. Coffee Hour  
Adult Bible Study

11:00 a.m. English Worship

Daily Devotion:  
www.EarlyWord.org

### St. John's Lutheran Church

1000 Ford Road  
Highland Hts., Ohio  
(440) 449-1334

Rev. Paul Stork  
Pastor

10:00 Worship Service  
10:00 Sunday School

## FARRELL HIGHLITES

By Betty Holmes

We had a very nice turn out at our June 21st dinner meeting at Jess's. We honored one of our seniors, Adam Flood, the grandson of Edward and Esther Krafft with a \$1,000 scholarship award. Adam was truly thrilled to receive this award and will be attending the University of Pittsburgh. It was nice meeting you and your parents being that you live out of town and we don't get to see them. Good luck Adam!

Birthdays celebrated were Nancy Finzel and Frank Testani, happy birthday! We sang the birthday song to them and wished them many more.

On our sick list we have Mary Burprich, Ciara Subasic, Ann Schuller, Selma Popa-Appel and Dan Wensel who just had knee surgery and Kathy Schuller who is still on the mend. Get well wishes to all of you.

On a sad note I just received a call that Maria Kreutzer passed away. Maria leaves her son Rudy and two granddaughters Amanda and Andrea. May she rest in peace.

It was nice to have Ann Schuller in our midst at our meeting; your looking good Ann, come back.

Anyone wanting to play cards or bocce after our meeting please stay and have some fun. There is a nice bocce court at the DEN. Our next meeting will be September 20th at the DEN with Dan Wensel as our host.



"It's so nice outside today. Why don't we skip the drive and take a nice walk into a wall?"

## CLEVELAND SAXON SENIORS

By Helen Korsgaard

Well, June is over--where did it go? The weather has just been beautiful, and the flowers and grass are spectacular. Hope your Independence Day celebration was just fantastic.

At our June meeting, we had some welcomed visitors - Carl Aber's daughter (from Coral Springs FL), Linda Elko, her husband Dave, Carl's grandson Saun, Erin, and their children, and Vickie Lechuk came in to say hello. Carl Aber's first wife Elsie (Binder) and Carl were active members of the Saxon Juniors and Saxon Vets and, of course, were friends of many of our Seniors long ago. They were in town for Carl's grandson, Kristopher and Kris's wedding. The service and reception were beautiful, and it was great seeing so many members of the Aber family all

in one place.

Speaking of weddings, our daughter Susan Wolff Quallich's son Joey and Kristen Terry are getting married on July 24 in Erie PA, where Kristen grew up. Another great wedding to look forward to!

Our meeting on Thursday July 22 will be the usual - bring your own lunch, table service, and expect to eat a marvelous dessert being made by Gretchen Binder. We'll probably play bingo as well, as it was decided that pinochle needs at least two hours to make an enjoyable session. Darn!

One of our newest members, Joan Blaha, has volunteered to try to find some day trips that most of us would be interested in. Sounds great!

See you on July 22!!!



Branch 11 Lorain invites you to come out and "strike" up some fun! Join us for a  
**Bowling Outing**  
Saturday, August 7, 2010

**Who:** Branch 11 & 5 members, families and friends

**What:** A fun-filled afternoon of bowling

**When:** Saturday, August 7, 2010, 2:00 pm - 6 pm

**Where:** Block River Lanes, 613 Oberlin-Elyria Rd., Elyria Ohio,  
Phone: 440-458-5144

**Cost:** \$1.00 a game; \$2.00 shoe rental. To be paid at the bowling alley the day of the outing.

**Additional Details:**

- This promises to be a great opportunity for fun and fellowship!
- Snack bar will be open at the bowling alley.
- Family members and friends are certainly invited to come.
- No reservations required. Just show up and mention you are with the Saxon group!



We remember our Sisters and Brothers who have departed this life in recent days. Our sincere sympathy is extended to the members of the bereaved families.

**Ella H. Keim**

Age 91

Died: May 14, 2010  
Erie PA

**George Schuller**

Age 96

Died: June 4, 2010  
Branch 30, Youngstown OH

**John Middleton**

Age 78

Died: June 17, 2010  
Branch 1, Cleveland OH

**Maria Kreutzer**

Age 85

Died: June 22, 2010  
Branch 7, Farrell PA

## ST. THOMAS CHURCH PICNIC

### AUGUST 29, 2010

The annual church picnic of St. Thomas Ev. Lutheran Church will be held Sunday, August 29. Worship begins at 10:30 a.m.

at Lenau Park in Olmsted Township (We will NOT meet at the church.)

Great food will be available at moderate prices, or bring your own picnic lunch.

Our Bratwurst sandwiches

"are worth the trip, wherever you are!"  
All are welcome — Bring a friend!

## ATS ANNUAL GOLF OUTING

MOHAWK TRAILS GOLF COURSE  
5117 ERIE STREET  
NEW CASTLE, PA

SATURDAY, JULY 24, 2010  
8:00 AM SHOTGUN START

COST IS \$30.00  
GOLF,  
REFRESHMENTS,  
BANQUET,  
PRIZES

SEND CHECKS  
AND ENTRY FORM:

Hans Kraus  
2421 Ridgewood Ct.  
New Castle, Pa 16101

Deadline for  
Entries

July 16, 2010  
Make Checks Payable:  
Eintracht - Branch 25

Please list your Foursome Below:

Name

ATS Certificate Number


Total Amount Enclosed \$ \_\_\_\_\_

Entry Form Submitted by:

Name \_\_\_\_\_

Address \_\_\_\_\_

Phone \_\_\_\_\_

For more information call:  
Hans Kraus (724)658-8062

## FDA makes new rules for asthma drugs

The Food and Drug Administration has concluded that long-acting beta-agonists (LABAs) should be used in conjunction with an asthma controller medication rather than used alone.

The specific drugs they say should not be used alone are Serevent, Foradil, Advair, and Symbicort. They are used to widen the bronchial passages and allow increased airflow to the lungs.

The new rules indicate they should be taken with an asthma controller medication such as an inhaled corticosteroid.

The rules are the result of an FDA analysis of several trials that found LABAs used alone can increase the risk of worsening symptoms rather than alleviating them.

An FDA spokesman said these drugs play an important role in helping some patients control asthma symptoms, but their review shows that their use should be limited, whenever possible, due to increased risks. Their other recommendations:

- LABAs should only be used long term in patients whose asthma symptoms cannot be controlled solely with asthma controller medications.

- They should be used for the shortest period of time required to control asthma symptoms.

LABAs are also approved to treat people with chronic obstructive pulmonary disease (COPD), but the new rules do not apply to them.

Patients shouldn't stop taking LABAs, but ask their doctors about the risks of taking them.



The Alliance of Transylvanian Saxons Board of Directors wishes to thank the USA and Canadian Cultural Groups who performed at the 2010 Saxon Heimattag.

**BRANCH 5, LORAIN**  
By Elmer Schneider



The Cleveland Saxon Dance Group



Kitchener's Transylvania Dancers



The Youngstown Saxon Culture Dance Group



Kitchener's Transylvania Chor



The Youngstown Saxon Culture Group Brass Band



The Cleveland Deutscher Musik Verein



New Castle Eintracht Männerchor



Erie Siebenbürger Sachsen Gesang Verein

We finally received a reprieve from the hot and muggy weather. It feels good for a change even though we know that it isn't going to last. As you may have read in the Branch 11 article the ladies are having a card party at St. John's UCC Social Hall on Saturday, July 10th from 2-5 p.m. The card party is free, but a good will offering will be taken, so if you can make it the ladies would like to see you there.

Also, a bowling party will be held on Saturday, August 7th starting at 2 p.m. Bowl as long as you wish at a \$1 a game and \$2 for shoe rental. The bowling party is at Black River Lanes located at 613 Oberlin-Elyria Road in Elyria. No reservations necessary; just show up and mention the Saxon Group.

Our Family Picnic will be held on Sunday, August 22nd from 1-8 p.m. at the French Creek, Pine Tree Reservation Shelter #1. Men will furnish the main entrée, the women will bring their delicious side dishes and refreshments will be provided. Please make a reservation for all who are coming to Brother Brian Gilles at 440-315-5214.

Our Juvenile members have no doubt received information on the Saxon Summer Camp which will be on July 18-24th. The men's and ladies branches have both went on record to reimburse those members who attend the camp reducing their cost to only \$50. Please consider sending your child if they are eligible.

Brother Andy Schuffert states that even though he is not on the sick list he is still ailing after his fall and will start therapy this week. Hope it helps you, Andy.

Our next meeting will be on Saturday, August 7th at 8 p.m. at the American Slovak Club. Before the meeting we will again meet the Chris Restaurant for dinner. Hope you all had a very enjoyable Fourth of July!

*Happy marriages begin when we marry the ones we love, and they blossom when we love the ones we marry. -- Tom Mullen*

*Take each other for better or worse but not for granted. -- Arlene Dahl*

*Nothing in life is as good as the marriage of true minds between man and woman. As good? It is life itself. -- Pearl S. Buck*

*Marriage is the alliance of two people, one of whom never remembers birthdays and the other who never forgets them. -- Ogden Nash*



ATS President Thomas Manning presents a check to Doris Hutter, representing our donations to the Saxon Relief Fund.



The Hutter and Weber Ladies (L-R) Ingrid Hutter, Elisabeth Weber, Monica Weber, Doris Hutter

**SAVE THE DATE: JULY 16 - 17, 2011**

**NEXT YEAR'S HEIMATTAG TO BE HELD IN AYLMEER, ONTARIO, CANADA**



**2009 Jugendlager Participants  
Re-Unite at the Saxon Heimattag**



**Back Row: Kris Löwrick, Lisa Fritsch, Matt Aeling, Rebecca Horeth, Elisabeth Weber (group leader).  
Kneeling: Michael Deutschlander, John Hermann**



**The Grand Aufmarsch**



**All dance groups performing the  
"Stern Polka" together**



**John and Helgard Werner, Tom and Liz Manning**

**Fun on the dance floor**



**Taming the  
Clutter Chaos**

If you are surrounded by piles of papers and stacks of stuff, you know how disorganized clutter can make your daily life. Paperwork is a challenge and can seem never ending. Incoming reading materials and magazines can make up a large part of this mess. These strategies can help tame the chaos.

1. Put reading material where you are most likely to read it. Place a magazine holder next to your favorite chair or designate a drawer in your nightstand for all of your magazines. Don't leave a stack of periodicals on your coffee table if the television is nearby and it is a major traffic area.

2. Once you get a new magazine, throw the oldest issue away. This way, you will be keeping your supply manageable. If you hate to throw your magazines away, find a friend or family member who would enjoy receiving these old editions.

3. If you find you only read parts of the magazines and newspapers you get, learn to pare down your reading materials from the beginning. When you get a new issue, look at the table of contents. Tear out articles that are of interest to you and toss the rest. Place these articles in a small folder. This is easier than trying to get through that huge stack of magazines in the pile.

4. Consider getting rid of paper subscriptions altogether. Many magazines now offer subscriptions that can be downloaded onto your smart phone, computer, or iPod. The new iPad is a great way to enjoy full-color magazines without all the clutter.

**Car Tip**

Before you head out for your next nighttime driving trip, check and clean the headlights and taillights on your vehicle. You may be surprised at all the grime that accumulates. When you are driving after dark, keep to a moderate speed and always keep a safe distance between you and the vehicles ahead. If you run into trouble, be sure to pull far off the road and use your flasher lights.

**The Heimattag was a Family Affair  
for Gerda Burk and her daughter's family,  
the Hambletons**



The Hambletons were honored in Washington D.C. as the most outstanding adoption family in the state of Michigan. Grandmother Burk who lives in Washington State was proud to have them at the Heimattag to introduce them to her Saxon heritage. Gerda is a cousin of Rosemarie Kascher. Both are members of Youngstown, Branch 22.

**Enjoy Saxon  
Fellowship**



**ATS FAMILY DAY  
AT  
WALDAMEER AND  
WATER WORLD  
3100 West Lake Road  
Erie, Pa.  
Saturday, July 31, 2010**

**A Reserved Picnic Pavilion – "Pine Valley"  
Bring Your Own Picnic Basket  
Free Admission to Picnic Facility and  
Amusement Park (no rides)  
Discounted Tickets Combo Pass  
for Amusement Park Rides and Water World  
Children under age 1 are free unless  
they want to enter Water World  
Free Shows  
Free Parking  
Bingo at Pavilion at 4pm**

**Hours for Water World 11am – 7 pm  
Waldameer Rides Noon – 10 pm**

**WALDAMEER  
TICKET ORDER FORM**

NUMBER OF ATS MEMBERS (all ages) @ \$18 \_\_\_\_\_ \$

Name and Certificate Number of Members:

\_\_\_\_\_ Cert No. \_\_\_\_\_  
 \_\_\_\_\_ Cert No. \_\_\_\_\_  
 \_\_\_\_\_ Cert No. \_\_\_\_\_  
 \_\_\_\_\_ Cert No. \_\_\_\_\_

Number of Non-Members @ \$17 \_\_\_\_\_ \$

Number attending that will not purchase combo pass  
 Amount Received \_\_\_\_\_ \$

Mail tickets to:

Name \_\_\_\_\_

Address \_\_\_\_\_ Telephone \_\_\_\_\_

City \_\_\_\_\_ State \_\_\_\_\_ Zipcode \_\_\_\_\_

Mail Ticket Order to: Alliance of Youngstown Saxons  
 5203 Pearl Road, Cleveland, OH 44129

**Deadline for Ticket Orders is July 20, 2010**



**Rumänien will Beziehungen zu den Siebenbürger Sachsen in Deutschland vertiefen**

Auf Einladung der rumänischen Regierung führte der Bundesvorsitzende des Verbandes der Siebenbürger Sachsen, Dr. Bernd Fabritius, vom 23. bis 25. Juni 2010 Gespräche auf höchster Ebene in Bukarest. Auf der von rumänischer Seite vorgeschlagenen Tagesordnung des Arbeitsbesuches standen Gespräche mit Staatspräsident Traian Băsescu, mit Außenminister Teodor Baconschi, mit dem Minister für Arbeit, Familie und Soziales, Mihai Şeitan, mit dem Staatssekretär im Ministerium für Erziehung, Forschung, Jugend und Sport, Andras Kiraly, mit Vertretern der Abgeordnetenkammer und des Senates sowie dem rumänischen Staatsfernsehen TVR.

Organisiert wurde das dicht gedrängte Besuchsprogramm vom Departement der rumänischen Staatskanzlei, in dessen Zuständigkeit die Beziehungen zu den im Ausland lebenden Rumänen und den Angehörigen ethnischer Minderheiten aus Rumänien (also auch der Siebenbürger Sachsen und Banater Schwaben in der ganzen Welt) fallen (DRP). Ziel dieser Einladung, die auch an die Vertreter der aus Rumänien stammenden und heute in Deutschland lebenden Banater Schwaben sowie an die Organisation der heute in Deutschland lebenden Rumänen gerichtet war, war die „Vertiefung und Festigung der Beziehungen Rumäniens zu den in Deutschland lebenden Siebenbürger Sachsen und Banater Schwaben“, so Staatssekretär Eugen Tomac, der bereits im September letzten Jahres Gespräche mit der Leitung des Verbandes in Deutschland geführt hatte.

**Präsident Băsescu würdigt Brückenfunktion des Verbandes bei der Entwicklung der deutsch-rumänischen Beziehungen**

Am ersten Tag des Aufenthaltes wurde die Delegation von Staatspräsident Traian Băsescu empfangen. In einem konstruktiven und sehr freundlichen Gespräch, für welches sich das Staatsoberhaupt über eine Stunde Zeit nahm, wurden Fragen der kulturellen Förderung, der Identitätssicherung, des Bildes über Rumänien in der westlichen Öffentlichkeit und die Festigung der Beziehungen der eingeladenen Organisationen mit dem Herkunftsland besprochen. Zum Abschluss betonte Băsescu die „Bedeutung der deutschen Minderheit in Rumänien für die kulturelle Vielfalt und den kulturellen Reichtum des Landes“ sowie die Wichtigkeit und Wertschätzung der in Deutschland lebenden Siebenbürger Sachsen und Banater Schwaben für die Entwicklung der Beziehungen zwischen Rumänien und der Bundesrepublik Deutschland. Băsescu kündigte an, mit den Vertretern der eingeladenen Organisationen in einen regelmäßigen Dialog zu treten, um gemeinsame Belange lösungsorientiert zu erörtern.

Bei einem Treffen im Ministerium für Erziehung, Forschung, Jugend und Sport wurde die

Bedeutung des muttersprachlichen Unterrichts angesprochen. Fabritius betonte, dass die deutschen Schulen in Rumänien als Schulen mit deutscher Unterrichtssprache für die dort lebende deutsche Minderheit von existenzieller Bedeutung sei. Gleichzeitig forderte er die Aufnahme der Geschichte der seit bald 900 Jahren auf dem Gebiet des heutigen Rumäniens lebenden Siebenbürger Sachsen in die Lehrpläne für den Unterricht zur Landesgeschichte. Staatssekretär Andras Kiraly (UDMR) betonte, dass dazu jede Bereitschaft bestehe, es gäbe bereits entsprechende Lehrbücher, weitere seien in Vorbereitung. Die Schulen mit Unterricht in deutscher Muttersprache seien Teil des dortigen staatlichen Schulsystems und würden selbstverständlich weitergeführt.

**Rumänien will noch deutlicheres Zeichen des Bedauerns für Unrecht an der deutschen Minderheit setzen**

Am Nachmittag des 24. Juni wurde die Delegation vom Außenminister Rumäniens Teodor Baconschi empfangen. Schon in seiner Begrüßung



**Der rumänische Außenminister Teodor Baconschi im Gespräch mit dem Bundesvorsitzenden Bernd Fabritius. Foto: Gogleaza**

serklärung bedauerte er die Aussiedlung der Siebenbürger Sachsen und der anderen Deutschen aus Rumänien und betonte, wie sehr er die Vertiefung ihrer Beziehungen zu Rumänien als ihrem Herkunftsland begrüßen würde.

Die Kultur der Deutschen aus Rumänien sei eine unbedingt notwendige Bereicherung der Gesellschaftsstruktur seines Landes: „Unsere Gesellschaft



**Staatspräsident Băsescu würdigte die Brückenfunktion des Verbandes für die deutsch-rumänischen Beziehungen. Das Bild zeigt das Staatsoberhaupt bei der Verabschiedung des Bundesvorsitzenden Bernd Fabritius im Cotroceni Palast in Bukarest. Foto: Rumänisches Präsidialamt**

braucht die Siebenbürger Sachsen und Banater Schwaben. Ich werde mich dafür einsetzen, dass Rumänien ein noch deutlicheres Zeichen des Bedauerns und der Entschuldigung für in der Vergangenheit verursachtes Leid setzt und so den Boden dafür schafft, dass Sie wieder nähere und festere Beziehungen zu unserem Land knüpfen.“ Die Feststellungen des Außenministers wurden von den anwesenden Vertretern der Organisationen der in Deutschland lebenden Rumänen bekräftigt, die betonten, dass ihre Verbände ebenfalls engere Beziehungen mit den in Deutschland lebenden Siebenbürger Sachsen und Schwaben wünschten. Fabritius sagte zu, diese Gedanken in gemeinsamen Gesprächen in Deutschland fortzusetzen und zu entwickeln. Mit den Rumänen in Deutschland sei man durch die gemeinsame Herkunft verbunden, auch wenn Kultur, Sprache und ethnische Zugehörigkeit sich unterscheiden. Die Brückenfunktion der grenzüberschreitenden

Gemeinschaft über erprobte Erfahrungen. Fabritius regte eine Zusammenarbeit des „Departements für Auslandsrumänen“ der rumänischen Staatskanzlei mit dem ebenfalls dort angesiedelten „Departement für interethnische Beziehungen“ unter Leitung des Staatssekretärs Helge Fleischer an, weil dieses auch für die Belange der in Rumänien lebenden Siebenbürger Sachsen zuständig sei. Man verstehe sich als Einheit, so dass die gewünschten guten Beziehungen zu den in Deutschland lebenden Siebenbürger Sachsen auch mit der Vertretung dieser Gemeinschaft in Rumänien eingeleitet und gefördert werden könnten. So fühle man sich durch den Abgeordneten der deutschen Minderheit im Rumänischen Parlament, Ovidiu Ganț, und den Staatssekretär Helge Fleischer zumindest inhaltlich mit vertreten.

Außenminister Baconschi begrüßte den Vorschlag als hilfreich und konstruktiv und kündigte auch Überlegungen zu einer noch deutlicheren Einbeziehung der Angelegenheiten der aus Rumänien stammenden Deutschen, die heute in Deutschland leben, in das Auslandsdepartement von Staatssekretär Tomac ein. Dem Unterschied zwischen Auslandsrumänen und den aus

Rumänien abstammenden ethnischen Minderheit im Ausland könnte durch Aufgaben- und Benennungserweiterung Rechnung getragen werden.

Fortgesetzt wurden die Gespräche im rumänischen Parlament mit Vertretern des Senates und der Abgeordnetenkammer. Der Diaspora-Abgeordnete Mircea Lubanovici sowie die Senatorin Mihaela Popa boten ihrerseits an, die Gespräche mit den eingeladenen Vertretern zu einer „regelmäßigen Einrichtung“ machen zu wollen. Von besonderem Interesse war die Einführung der Möglichkeit einer Briefwahl für im Ausland lebende Wahlberechtigte, nachdem einige Teilnehmer praktische Probleme bei der Stimmabgabe zur letzten Präsidentenwahl geschildert hatten.

Mit Arbeitsminister Mihai Şeitan wurden Fragen des Rentensystems und der gegenseitigen Berücksichtigung von Rentenanwartschaften nach dem Beitritt Rumäniens zur EU erörtert.

Bei Gesprächen mit Beatrice Comănescu, der Direktorin des staatlichen Fernsehens TVR International, schilderten die Delegationsteilnehmer einleitend Probleme im Zusammenhang mit dem Empfang der Sendungen in Deutschland. Die Direktorin erläuterte das Interesse und die Bereitschaft zu einer noch intensiveren Berichterstattung über Veranstaltungen und Inhalte der Verbände, die in der Delegation vertreten waren. Fabritius wies auf die Internetpräsenz des Verbandes und die Online-Ausgabe der Siebenbürgischen Zeitung hin, aus welcher rechtzeitig Ankündigungen und Informationen zu allen Veranstaltungen mit Bezug zu der von ihm vertretenen Gemeinschaft in Deutschland entnommen werden könnten. Er lud das rumänische Fernsehen ein, gerne und umfassend über alle kulturellen, gesellschaftlichen und sonstigen Aktivitäten zu berichten

**SBZ Online  
30. Juni 2010**

**Neue Turmuhr in Bistritz**



Ab dem 17. Juli wird die neue Turmuhr den Bistritzern die genaue Uhrzeit anzeigen. Der Termin ist abgestimmt auf das diesjährige Bistritzer Stadtfest, das vom 17. bis 19. Juli stattfindet und daran erinnert, dass die Stadt Bistritz 1241, vor 769 Jahren, zum ersten Mal urkundlich erwähnt wurde.

Nach dem verheerenden Kirchturmbrand vom 8. Juni 2008 hatte sich die HOG Bistritz zum Ziel gesetzt, den Bistritzern die 1860 in Prag hergestellte Turmuhr, die den Flammen zum Opfer fiel, zu

ersetzen. Der Spendenaufruf für diese Uhr hatte eine so große Resonanz, dass dieses Projekt auch auf die drei neuen Glocken ausgedehnt werden konnte.

Im Oktober 2009 konnten die in Passau gegossenen, drei neuen Glocken in einem beeindruckenden Festgottesdienst geweiht und in Betrieb genommen werden. Die damals schon mitgelieferte, ebenfalls in Passau hergestellte Uhr konnte nicht montiert werden, da dafür noch umfangreiche Renovierungen und Konservierungen der brandgeschädigten steinernen Fassade auf der fünften Turmetage notwendig waren. Für diese Restaurierung hatte die Bistritzer Kirchengemeinde kein Geld.

**Fortsetzung auf Seite 9**



## Erinnerungstag in Marchtrenk – Bekenntnis zu Tradition und Integration

Unter dem anspruchsvollen Leitgedanken „Im Rückblick dankbar“ haben die Siebenbürger Sachsen am 12. Juni in Marchtrenk den „Erinnerungstag der Heimatvertriebenen“ abgehalten und ein eindrucksvolles Bekenntnis aller Landsmannschaften zur Überwindung der Kriegs-, Flucht- und Notzeiten durch die Brauchtumstreue und den Gemeinschaftssinn der volksdeutschen Heimatvertriebenen abgegeben.

Im Jahr 2008 hat das Land Oberösterreich die Patenschaft über die im „Kulturverein der Heimatvertriebenen in OÖ“ organisierten Landsmannschaften der Donauschwaben, Sudetendeutschen, Siebenbürger Sachsen, Buchenlanddeutschen und Karpatendeutschen übernommen und alljährlich die Abhaltung eines „Erinnerungstages“ über das Schicksal dieser Menschen festgelegt. Die nunmehr dritte Veranstaltung dieser Art wurde heuer vom Verband der Siebenbürger Sachsen in OÖ ausgerichtet. Sie bot auf hohem Niveau mit vielen sächsischen Trachtenträgern und der Mitwirkung je einer rumänischen und ungarischen Brauchtumsgruppe aus Siebenbürgen ein eindrucksvolles Bild vom Brauchtumsreichtum

der Völker in diesem Raum und war zugleich auch ein Ausdruck des einst in Siebenbürgen typischen Zusammenlebens dreier Völker im Karpatenbogen. Heute könnte dies als Hinweis auf die für die Zukunft Europas erforderliche nationale Toleranz gedeutet werden. Die Veranstaltung begann mit einem ökumenischen Gottesdienst vor dem „Denkmal der Vertreibung“ in Marchtrenk, gestaltet von den ev. Pfarrern Gerhard Grager und Georg Zimmerman mit dem kath. Kaplan von Traun und der Siebenbürgischen Blasmusik dieses Ortes. Jedem Teilnehmer wurde die gedankliche Tief des Leitgedankens und auch dessen Aktualität bewusst.

Die eigentliche Festveranstaltung fand nach einem wohlorganisierten Bus-Transfer



**Landeshauptmann Dr. Josef Pühringer (rechts), Festredner in Marchtrenk, neben Hans Waretzi.**

der Teilnehmer im Volkshaus Marchtrenk statt und erfasste bei geschmackvoll dekorierten Tischen über 400 Teilnehmer. Ehrenobmann Konsulent Waretzi eröffnete das Programm mit einer kurzen Ansprache zu grundsätzlichen Fragen des Erinnerungstages und des Leitgedankens und konnte anschließend viele Ehrengäste begrüßen, vor allem den Landeshauptmann von Oberösterreich, Dr. Josef Pühringer, die Botschafterin von Rumänien in Wien, Exz. Silvia Davidoiu, den Honorarkonsul von Rumänien in Linz, Dir. Dr. Wolfgang Berger-Vogel, und den Vorsitzenden des Demokratischen Forums der Deutschen in Siebenbürgen, Univ. Prof. Dr. Paul-Jürgen Porr, zugleich in Vertretung des Verbandes der Siebenbürger Sachsen in Deutschland, sowie die Vertreter der mitfeiernden Landsmannschaften, die anschließend in Grußadressen zu Wort kamen. Vorher gab es noch eine kurze DVD-Projektion, die den Zusehern die Schönheit und den kulturellen Reichtum Siebenbürgens in Erinnerung rief und auch Bilder von der Flucht und vom Aufbau der neuen Heimat zeigte.

Landeshauptmann Dr. Pühringer dankte in seiner Festansprache dem Personenkreis aller Heimatvertriebenen für die Mitwirkung am Aufbau des Landes nach 1945, der das Bundesland heute in die Reihe der höchstentwickelten Regionen Europas gehoben hat. Er zitierte als Beispiel hierfür auch die Lebensleistung des im Saal anwesenden Siebenbürgers Günther Fronius und die Erfindungen seines Unternehmens auf dem Gebiet der Elektrotechnik und Photovoltaik.

Die Botschafterin Davidoiu würdigte die traditionell guten Beziehungen der Siebenbürger Sachsen in Österreich zu Rumänien, verwies auf den Beitrag des rumänischen Kulturinstitutes in Wien zur Mitwirkung einer Kulturgruppe aus Bistritz am Programm und wünschte sich für die Zukunft eine Fortsetzung solcher Initiativen. Zu diesen Überlegungen konnte der Sprecher der Sudetendeutschen, Ing. Peter Ludwig, den Sachsen in seinem Grußwort nur gratulieren und musste auf den totalen Stillstand der Gespräche mit der Regierung in Prag hinweisen. Indes gebe es Hinweise auf eine Neubetrachtung der Ge-

schehnisse in der tschechischen Bevölkerung, aus denen Anstöße zur Behandlung der vielen offenen Fragen entstehen könnten. Auch der Sprecher der Donauschwaben, Dir. Ing. Anton Ellmer, formulierte Hoffnungen und Ziele: Für die kommenden Schuljahre werde die Aufnahme des Vertreibungs- und Integrationsgeschehens in die Unterrichtsprogramme angestrebt. Die Sprecherin der Bukowina-Deutschen, Abgeordnete Anneliese Kitzmüller, versprach, sich im Österreichischen Parlament intensiv für die Belange der volksdeutschen Heimatvertriebenen einzusetzen.

Die Serie der Grußadressen, aufgelockert durch Musikeinlagen der Blasmusikkapelle und einen Auftritt der Volkstanzgruppe der Siebenbürger Sachsen, fand ihren Abschluss in der Festansprache von Prof. Dr. Paul-Jürgen Porr aus Hermannstadt, der auch die Grüße des leider verhinderten Bundesvorsitzenden des Verbandes der Siebenbürger Sachsen aus Deutschland, Dr. Bernd Fabritius, überbrachte. Der Redner spannte den Bogen der Erinnerungen vom Fluchtvorgang der Nordsiebenbürger im Jahre 1944 über deren Niederlassung in Österreich, USA, Kanada und Deutschland bis zu den aktuellen Zuständen in der alten Heimat, wo heute eine kleine Anzahl von Siebenbürger Sachsen vor großen kulturellen und sozialen Aufgaben stehe, die nur durch neue Ideen, neue Wege und den Zusammenhalt aller gelöst werden könnten. Hierzu sei, so Dr. Porr, bei allen Beteiligten viel Kenntnis und Mut sowie nationale Toleranz und Verständnis erforderlich. Die Pflege der Erinnerung solle dazu dienen, den Kenntnisstand über Vergangenes für die Zukunft zu sichern.



## TURMUHR Fortsetzung von Seite 8

Wiederum waren es die Landleute aus Deutschland und Österreich, die mit ihren Spenden diese Arbeiten finanziert haben. Nun kann die Turmuhr montiert werden.

Nachdem die HOG Bistritz-Nösen die Glocken der Evangelischen Kirchengemeinde Bistritz übergeben hat, erfolgt nun die Übergabe der Turmuhr an die Stadtverwaltung, an das Bürgermeisteramt der Stadt Bistritz. Auch vor dem Brand war die Turmuhr Eigentum der Stadtverwaltung und hat vielen Generationen Bistritzer Bürgern, Sachsen, Rumänen, Ungarn, Juden und Zigeunern und allen Besuchern der Stadt mit ihren Zeigern und mit dem Stundenschlag die Uhrzeit angezeigt. Die Turmuhr, die aus allen Ecken und Enden der Stadt gesehen werden kann, soll wieder für alle Bürger eine

Im anschließenden Programmteil boten die eingeladenen Brauchtumsgruppen „Cununa de pe Some“ aus Bistritz und „Havasi Gyopár“ aus Linz durch charakteristische Volkstänze einen stark akklamierten Eindruck von der Buntheit und Vitalität dieses Zweiges der rumänischen und ungarischen Volkskultur. Der Funke der Erinnerung erfasste sichtlich viele der Anwesenden und ließ zu den Gästen eine herzliche Beziehung entstehen. Es bestätigte sich, dass Brauchtum eine kulturelle, menschliche Brücke ist.

So war auch der thematische Übergang zur nächsten Darbietung kein Problem. Die Lesung von Frau Monika Görig aus dem Erinnerungsbuch ihrer Mutter über die Flucht im September 1944, die Aufnahme an der deutschen Grenze, die Ankunft in Bad Hall und die Mühsal des Aufbaus einer Familienexistenz fand ein mit dem Thema vertrautes und intensiv mitlebendes Publikum. Der Vortrag endete mit dem Dank der Familie für den beendeten Bau eines Eigenheimes, womit die Verbindung zum Leitgedanken der Veranstaltung hergestellt wurde.

Anschließend lud Obmann Manfred Schuller die Anwesenden zu einem gemütlichen Beisammensein ein. Das von der oö. Landesregierung und den sächsischen Frauen gebotene Imbiss- und Kuchenbüfett beendete eine gelungene Veranstaltung im heimatlichen Geist mit ernstem Kern und offenem Blick in die Zukunft. Die Zufriedenheit aller Teilnehmer entschädigte die aktiven Amtswalter reichlich für die vielen Mühen der Vorbereitung und der Organisation.

**Dr. Fritz Frank  
SBZ Online  
25. Juni 2010**

## 20. Sachsentreffen in Bistritz

Vom 17. bis zum 19. September findet das vom Siebenbürgenforum organisierte Sachsentreffen in Bistritz im Nösnerland statt. Das bewährte Organisationskomitee unter der Regie des Geschäftsführers des Siebenbürgenforums Benjamin Josza wird vor Ort durch das Bistritzer Forum, die HOG Bistritz-Nösen und das Bürgermeisteramt Bistritz unterstützt.

Zum Auftakt der Veranstaltungen spielen am Freitag, dem 17. September, die „Trauner Adjuvanten“ und das „Siebenbürgische Blasorchester Landshut“ auf der Promenade im Pavillon auf.

Am Samstag um 10.00 Uhr hält Bischof D. Dr. Christoph Klein die Festpredigt. Im Anschluss werden die Ehrengäste auf der Bühne in der Holzgasse ihre Grußworte sprechen, begleitet von kurzen musikalischen Einlagen der zahlreichen Blaskapellen aus dem In- und Ausland.

Nach einem gemeinsamen Festessen in der Fußgängerzone – in der ehemaligen Holzgasse – folgen als weitere Höhepunkte der Festumzug und der Auftritt der Volkstanzgruppen aus Siebenbürgen, Österreich und Deutschland.

In dem seit über hundert Jahren kaum veränderten Festsaal des Gewerbevereinshauses hält Horst Göbbel aus Nürnberg die Festrede zum Motto „Bildung ist Zukunft“. Das Motto, inspiriert von der während der Kommunistenzeit übertünchten Aufschrift „Bildung ist Freiheit“ auf der Frontseite der Mühlbacher Schule, soll an die erfolgreiche Schulausbildung in Siebenbürgen erinnern. 2010 feiert das Bistritzer Gymnasialgebäude sein 100-jähriges Jubiläum – der Gymnasialunterricht in Bistritz geht allerdings bis

ins 15. Jahrhundert zurück – und die Ackerbauschule ihr 140-jähriges Bestehen.

Anschließend wird die Honterus-Medaille für besondere Verdienste an Peter Pastior, Vorsitzender des Sozialwerks der Siebenbürger Sachsen e.V., durch den Vorsitzenden des Siebenbürgenforums, Dr. Paul Jürgen Porr, verliehen. Mit der Ehrenbürgerschaft der Stadt Bistritz werden Manfred Dachner und Dr. Hans Georg Franchy durch den Bistritzer Stadtrat ausgezeichnet. Ein mit hochkarätigen Musikern besetztes klassisches Konzert beendet diesen Festakt. Bei einem Festessen mit etwa 500 geladenen Gästen findet der Tag seinen Abschluss.

Am Sonntag, dem 19. September, hält der ehemalige Bistritzer Stadtpfarrer und letzte nordsiebenbürgische Bezirkskirchendechant, Kurt Egon Franchy, die Predigt in der Bistritzer Stadtpfarrkirche. Ein Konzert der Blaskapellen auf der Bühne in der Fußgängerzone beendet das umfangreiche Festprogramm.

Zu diesem in Bistritz stattfindenden Sachsentreffen sind alle herzlich eingeladen. Im nächsten Jahr, 2011, trifft man sich zum 21. Sachsentreffen in Kronstadt.

*Hans Georg Franchy*  
Das Programm des Sachsentreffens zum Herunterladen als pdf-Datei:

**SBZ Online  
3. Juli 2010**

**Alles was ich bin und habe,  
großer Gott ist deine Gabe.**



# PotPourri

## Excerpts from the Saxon-English Dictionary



compiled by  
**Dan "Hoot" Schuller**  
 Branch 29 Monaca, PA

Gott mess glechen Penn State um dot da Hemmel aas bloh ouch veiss.

*God must like Penn State because the sky is blue and white.*

Et ass aynden haarlich tsem treffen en Luntzmun.  
*It's always wonderful to meet a countryman.*

Ech dinken mane Ooghen zen gresser ve mane Beuch.  
*I think my eyes are bigger than my stomach.*

Aas da Glauss half laadich odder hahlf fohl?  
*Is the glass half empty or half full?*

En Shess aan da dauhnkel. *A shot in the dark.*

Gebooyren tsem ferlaazen. *Born to lose.*

Tsem yayden zen Zelf. *To each his own.*

Ivver ouch faurr avaych. *Above and beyond.*

Da bayst aas nohch tsem koun. *The best is yet to come.*

Bleif oowah da Grauss *Keep off the grass.*

Amerikauner – *American*  
 Ahfvedderzaan – *goodbye*  
 Aanglish – *English*  
 Ahldest – *sometimes*  
 Aast – *something*  
 Aakest – *ever*  
 Ahpel – *apple*  
 Ahf – *up*

Ahnkel – *uncle*  
 Ayssen – *eat*  
 Avaych – *away*  
 Ahless – *all*  
 Ahlt – *old*  
 Aleen – *alone*  
 Aruhm – *around*  
 Aynden – *always*

### Simple Barbecue Marinades

Summertime means more outdoor grilling. You can easily dress up your barbecue fare by using simple rubs and marinades. Next time you are ready for some outdoor cooking, try some of these easy recipes.

#### Beer Marinade

1 can beer  
 1 tablespoon dried thyme  
 1 tablespoon dried oregano  
 1 teaspoon garlic powder  
 1 teaspoon onion powder  
 1 teaspoon black pepper  
 1 teaspoon brown sugar  
 1 teaspoon paprika  
 2 tablespoons vegetable oil

#### Tangy Marinade

1 cup vegetable oil  
 1/3 cup lemon juice  
 1/2 cup wine vinegar  
 1/2 cup soy sauce  
 1/4 cup Worcestershire sauce  
 2 tablespoons dried mustard  
 1 teaspoon garlic powder  
 1 teaspoon onion powder

For each marinade, mix all ingredients together. Place meat into a large zip top bag and pour marinade over. Let sit for at least 30 minutes and up to 8 hours.

#### Rubs

##### Fancy Beef Rub

2 tablespoons kosher salt  
 1 tablespoon garlic powder  
 1 tablespoon onion powder  
 1 teaspoon thyme  
 1 teaspoon ground bay leaf  
 1 teaspoon black pepper

##### Lemon Pepper Rub

3 teaspoons lemon pepper seasoning  
 1 teaspoon garlic powder  
 1 teaspoon dried oregano  
 1/2 teaspoon sugar  
 1/2 teaspoon cayenne pepper

For each rub, combine all ingredients and rub onto the surface of the meat. Cover with plastic wrap and let sit for 30 minutes. Then grill as usual.



### The Hidden Dangers of CFL Bulbs

Compact fluorescent bulbs are a great way to save money and are a green solution to lighting your home. CFL bulbs are designed to last for several years. But eventually, they need to be replaced, either because they have burned out or due to breakage. It is important to know how to properly handle these light bulbs, as they contain mercury which can be harmful if it makes contact with skin or is ingested or inhaled.

If you have a bulb that has broken, first open a window and leave the room for at least 15 minutes. Remove pets from the room as well.

Next, put on some rubber gloves. Carefully scoop up the fragments with stiff paper or thin cardboard. Place the broken pieces in a sealable plastic bag. Wipe the area with a damp paper towel or disposable wet wipes. Place these in the plastic bag as well.

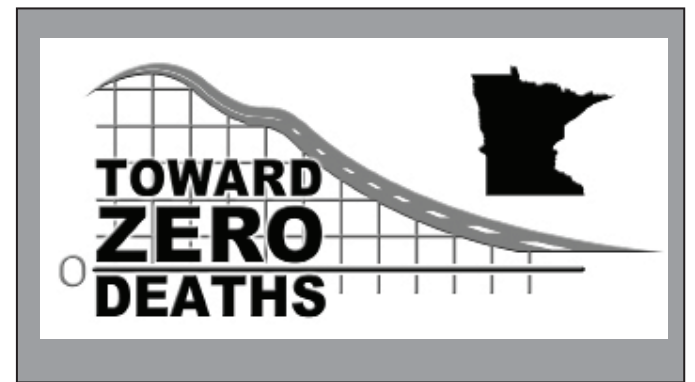
If the breakage occurred on a hard surface, do not use a vacuum or broom to clean up the broken bulb. If the bulb has broken on a carpeted surface, remove all materials you can with the above method. To pick up small pieces and powder, use a sticky tape such as duct tape. If this does not remove all remaining bits, you can use the vacuum cleaner with some precautions. Remove the vacuum bag (or empty and rinse the canister) and put the bag or vacuum debris in a sealable plastic bag.

Once you have picked up all the debris, seal up the plastic bag and then place this bag in a second plastic bag. Place the bags in an outdoor trash container or in a protected place outdoors until the next trash pickup.

You will need to check the disposal regulation where you live to make sure you can dispose of this type of waste with your normal trash. Some places require you to take it to a community hazardous waste disposal center.

## SUDOKU

					9		1	
		9		2	7	8		6
		8	4					9
		4		7	5			
	8	1				9	5	
			2	8		7		
8					6	2		
4		6	5	9		1		
	5		3					



### Several countries, six U.S. states work toward zero traffic deaths

In 2009, there were 1.6 traffic fatalities in the United States per 100 million miles traveled. It was the lowest number since 1950, but traffic and safety officials say we can do much better. Some are pushing for a goal of zero traffic fatalities.

While the goal is probably not achievable, a new coalition of safety advocates, transportation officials and police is urging Congress to set a national goal of reducing annual traffic deaths by half over the next 20 years.

The approach, called Toward Zero Deaths, hopes to alter behaviors that cause fatalities. Speeding is involved in more than 31 percent of road deaths, drunken driving in 32 percent and distracted driving in 16 percent. About 55 percent of those killed in passenger cars were not wearing seat belts, according to the National Highway Traffic Safety Admin-

istration.

Zero-deaths proponents say technological safety advances in vehicles will be a major factor in moving toward their goal. They include cameras that detect when a driver is drowsy, technology that causes a car to vibrate when the driver leaves the lane, electronic stability controls that reduce fatalities in rollovers, and alcohol ignition interlocks that prevent inebriated drivers from starting vehicles.

Idaho, Minnesota, Oregon, Utah, Washington and West Virginia have adopted statewide versions of the zero-deaths program.

The zero-traffic deaths concept called Vision Zero was developed in Sweden in 1997. Other European countries that implemented it include Germany, Italy, the Netherlands and Portugal.

### Police focus on speed limits for safety, city income

Guard your body, your driver's license and your wallet. Driving the speed limit is more important than ever before.

Police and highway patrolmen want you to be safe, but they also want to increase state or municipality income by issuing more speeding tickets.

If you're driving where the speed limit is 35 and think 39 or 40 won't get you into any trouble, forget it. The 5-to-10 mph cushion police and state troopers across the USA have routinely given motorists is gone.

The Governors Highway Safety Association reported in 2005 that police in 42 states



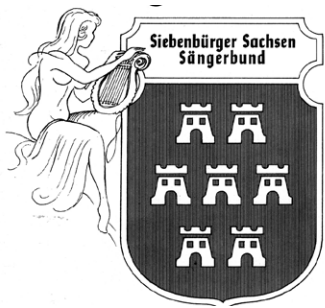
routinely let drivers exceed speed limits. They say it's still done in some areas but that it hurt efforts to reduce speeding.

The National Troopers Coalition, which represents 45,000 troopers, says there is now no tolerance for speeding among troopers.

Communities are turning to traffic citations for added revenue. In Canton, Ohio, according to USA Today, police issued four times as many traffic tickets in January of 2010 as they did in January of 2009. City officials say a big reduction in the crime level freed more police officers to do traffic enforcement.

8	4	9	2	1	3	7	5	6
3	7	1	8	6	5	9	2	4
5	6	2	9	4	7	3	8	1
4	9	7	1	8	2	5	6	3
2	5	6	4	3	9	1	8	7
1	8	3	5	7	6	4	9	2
6	2	5	3	9	4	8	7	1
9	3	8	7	2	1	6	4	5
4	1	7	9	5	8	2	3	6





**Siebenbürger Sachsen  
Sängerbund**

**Sections**

**CLEVELAND, SECTION 1  
EINTRACHT SAXONIA  
SACHSENCOR**

Rehearsal: Tuesday, 8 p.m.

**PRESIDENT**  
Adolf Fischer  
4567 Williamston Ave.  
Brooklyn, OH 44144  
(216) 741-1398

**SECRETARY**  
Christa Herbert  
4703 Ridgewood Dr.  
Parma, OH 44134  
(440) 888-6094  
is1959@netzero.net

**ERIE, SECTION 4  
S.S. GESANG VEREIN**  
Rehearsal: Monday  
Erie Siebenbürger Club

**PRESIDENT**  
Victor Hawthorne  
813 E Grandview Blvd. Apt. 103  
Erie, PA 16504  
(814) 455-8983  
vhawthornel@verizon.net

**SECRETARY**  
Beverly Potchatko  
750 East 10th St.  
Erie, PA 16503  
(814) 456-9599  
(814) 825-7637

**NEW CASTLE, SECTION 6  
EINTRACHT MÄNNERCHOR**  
Rehearsal: Meets Tuesday

**PRESIDENT**  
Lee Winter  
1855 Valley Rd.  
New Castle, PA 16105  
(724) 657-8073

**SECRETARY**  
Ralph Minton  
23 E Oakwood Way  
N. Castle, PA 16105  
(724) 657-3712

**YOUNGSTOWN, SECTION 7  
CONCORDIA MIXED CHORUS**  
Rehearsal: 1st Tuesday  
Youngstown Saxon Club

**PRESIDENT**  
Richard Bowden  
6275 Gibson Rd  
Canfield, OH 44406  
(330) 533-7192  
rmbowden1@yahoo.com

**SECRETARY**  
Carole A. Simione  
347 Pennsylvania Ave.  
McDonald, OH 44437  
(330) 530-4333  
casimione@zoominternet.net

**Cultural  
Groups**

**DEUTSCHER  
MUSIK VEREIN**

Rehearsal: Monday  
Westside Sachsenheim

**PRESIDENT**  
Christine Roppelt  
4107 Gifford Ave  
Cleveland, OH 44109  
216-773-9375  
tantechrissy@juno.com

**SECRETARY**  
Carl Vavpot  
2400 Forestdale Ave.  
Cleveland, OH 44109  
(216) 702-6541  
carl@birthdaytunes.com



**CLEVELAND SAXON  
DANCE GROUP**

Rehearsal: Fridays  
7:30 pm Adults  
Westside Sachsenheim

**PRESIDENT**  
Stephanie Miller-Hanek  
22677 Peachtree Ln  
Rocky River, OH 44116  
(440) 356-5582  
samiller55@sbcglobal.net

**SECRETARY**  
Kristan Pechatsko  
3787 West 137th St.  
Cleveland, OH 44111  
(216) 374-2064  
klh4312@yahoo.com

**YOUNGSTOWN  
SAXON CULTURE GROUP**  
Meets: 1st Sunday of Month  
Youngstown Saxon Club

**PRESIDENT**  
Erna Weber  
525 Quarry Lane NE  
Warren, OH 44483  
(330) 856-3842  
saxnerna@aol.com

**SECRETARY**  
Katy Huffman  
1759 Arbor Dr.  
Mineral Ridge, OH 44440  
(330) 233-1849  
klh312@yahoo.com

**TRANSYLVANIAN  
SAXON  
BOWLING  
LEAGUE**

**PRESIDENT**  
Marie A. Benedict  
PO Box 25  
Edinburg, PA 16116  
(724) 667-7395  
bckskinbny@verizon.net

**VICE PRESIDENT**  
Tom Simon  
3916 Avalon Ct.  
Austintown, OH 44515  
(330) 720-7988

**SECRETARY-TREASURER**  
Jenny Miller  
25321 Conover Dr.  
Bay Village, OH 44140  
(440) 250-9498  
jmill411@yahoo.com

**STATISTICAL SEC'Y.  
(Men & Women)**  
Carl J. Schmitz  
26652 Redwood Dr.  
Olmsted Falls, OH 44138  
(440) 235-3343  
cjsaintrite@aol.com

**TRUSTEES AUDITORS**  
Hazel Tennis  
660 Wright Ave.  
Alliance, OH 44601  
(330) 823-3849  
  
Joseph Noll  
1555 Saddlebrook Ln 2B  
Westlake, OH 44145  
(440) 892-6049

**SAXON  
SENIORS**

**CLEVELAND SAXON SENIORS**  
Meets 4th Thursday

**PRESIDENT**  
Erna Kloos  
28575 Westlake Village Dr A305  
Westlake, OH 44145  
(440) 871-7668

**TREASURER**  
Louise Parge  
28575 Westlake Village Dr A307  
Westlake, OH 44145  
(440) 385-7024

**SALEM SAXON RETIREES**  
Meets 1st Wednesday  
of each month

**PRESIDENT**  
Lois Whitacre  
15425 Lisbon St.  
Minerva, OH 44657  
(330) 862-2607

**SECRETARY**  
Sue Fritzman  
800 Sharp St.  
Salem, OH 44460  
(330) 332-5250

**YOUNGSTOWN  
SAXON CLUB RETIREES**  
Meets 2nd Thursday

**PRESIDENT**  
Patricia Bokesch  
310 Parkgate Ave.  
Youngstown, OH 44515  
(330) 799-3121

**SECRETARY**  
Teri Laret  
3304 Quentin Dr.  
Youngstown, OH 44511  
(330) 799-2789

**BOOKS**

**The Saxon Cook Book - Third Edition**  
*Over 400 Saxon/American Recipes \$12.00 per copy (postpaid)*

**Fleeing to the Friendly Enemy** by Barbara Ohler Weber  
*A true story of the author's experiences during World War II and her immigration to America in the 1950's.*  
\$14.00 per copy (postpaid)

**Flucht aus Siebenbürgen** by Monika Görig/Maria Schneider  
*Memoirs of Maria Schneider written in German describing her family's hardships when they had to flee from their home in 1944 and start a new life in Austria.*  
\$20 per copy (postpaid)

**Saxons Through Seventeen Centuries**, author Rev. John Foisel  
*A paperback which provides a romantic account of the customs and phases of intellectual development of the Transylvanian people. Not intended to be a history of Transylvania, rather a story of our people based upon seventeen centuries of history.*  
\$15 per copy (postpaid)

**DVD - "Leaving Transylvania"** producer/director Dieter Auner  
*A documentary on an elderly Saxon couple from Arbeggen that had chosen to stay in Transylvania during the massive exodus of Saxons in the 1990's and now after a decade of loneliness and disorientation is faced with abandoning their home and emigrating to Germany to be with family.*  
\$20 per copy (postpaid)

**Note: All books have English Text. Proceeds from book sales go to the Saxon Orphan Fund Program.**

**Order From:**  
The Alliance of Transylvanian Saxons  
5393 Pearl Road, Cleveland, Ohio 44129  
Make Checks/Money Orders payable to

**USE ONLY THIS FORM FOR CHANGE OF ADDRESS AND CANCELLATIONS**

**CHANGE OF ADDRESS FORM**

Branch No. \_\_\_\_\_ Certificate No. \_\_\_\_\_

SS# \_\_\_\_\_ Date of Birth \_\_\_\_\_

Name \_\_\_\_\_

Old Street Address was \_\_\_\_\_

City/State/Zip \_\_\_\_\_

New Street \_\_\_\_\_

City/State/Zip \_\_\_\_\_

All information in the form to the right and below must be correctly typed, or legibly written.

CHANGE

CANCELLATION

NEW to receive paper

THIS CHANGE IS FOR:  HOME OFFICE RECORDS & VOLKSBLATT  
 VOLKSBLATT ONLY

Date: \_\_\_\_\_ Signature of Person Making Change \_\_\_\_\_

**Mail to: Alliance of Transylvanian Saxons, 5393 Pearl Road, Cleveland, Ohio 44129-1597**



# Pictorial Highlights of the 2010 Saxon Heimattag



**2011 Saxon Heimattag will be held in  
Aylmer, Ontario  
July 16, 17**

Photos taken by Hanz Hermann